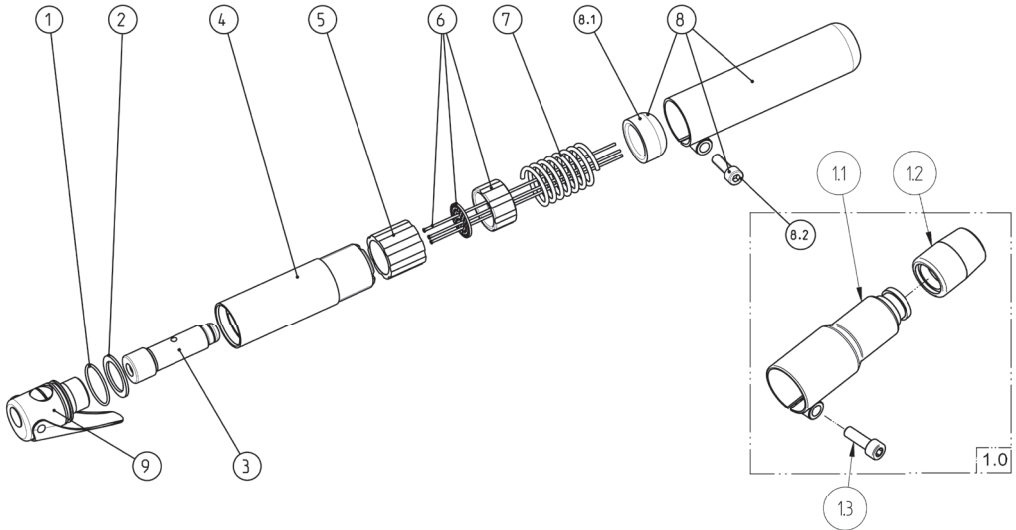


12 B, 23 BG Spare Parts

Only use original Von Arx spare parts!



17.1 Needle scaler 12 B

	not for 12 B
700236	Intermediate ring
700237	Percussion piston
700229	Pistol body
700233	Anvil
	Set of needles (see 17.10)
700234	Spring
700232	Front tube complete
700239	Grilon-guide
103175	Allen screw
700252	Valve complete (see 17.9)
710803	Sticker set 12 B

17.2 Needle scaler 23 BG

1	109303	O-ring	1
2	700420	Intermediate ring	2
3	700281	Percussion piston	3
4	700419	Pistol body	4
5	700275	Anvil	5
6		Set of needles (see 17.10)	6
7	700279	Spring	7
8	700274	Front tube complete	8
8.1	700284	Grilon-guide	8.1
8.2	103175	Allen screw	8.2
9	700424	Valve complete (see 17.9)	9
	710804	Sticker set 23 BG	

17.1 Chisel hammer 12 B

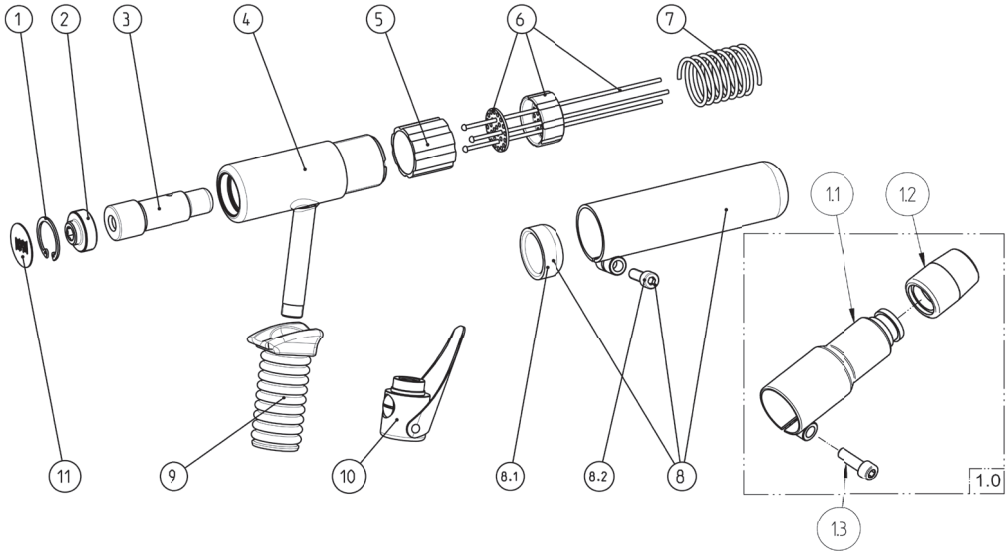
	see needle scaler
700250	Chisel holder complete
700251	Chisel guide
700730	Rubber nozzle
103175	Allen screw
	Chisel (see 17.11)

17.2 Chisel hammer 23 BG

	see needle scaler		
1.0	700294	Chisel holder complete	1.0
1.1	700295	Chisel guide	1.1
1.2	700730	Rubber nozzle	1.2
1.3	103175	Allen screw	1.3
		Chisel (see 17.11)	

23 B, 34 B Spare Parts

Only use original Von Arx spare parts!



17.3 Needle scaler 23 B

108717	Safety ring
700276	Locking screw
700281	Percussion piston
700270	Pistol body
700275	Anvil
	Set of needles (see 17.10)
700279	Spring
700274	Front tube complete
700284	Grilon-guide
103175	Allen screw
700178	Rubber handle grip
700296	Valve complete (see 17.9)
700277	Cover
710805	Sticker set 23 B

17.4 Needle scaler 34 B

108718	Safety ring	1
700329	Locking screw	2
700333	Percussion piston	3
706061	Pistol body	4
700328	Anvil	5
	Set of needles (see 17.10)	6
700332	Spring	7
700327	Front tube complete	8
700335	Grilon-guide	8.1
103175	Allen screw	8.2
700178	Rubber handle grip	9
700296	Valve complete (see 17.9)	10
700330	Cover	11
710806	Sticker set 34 B	

17.3 Chisel hammer 23 B

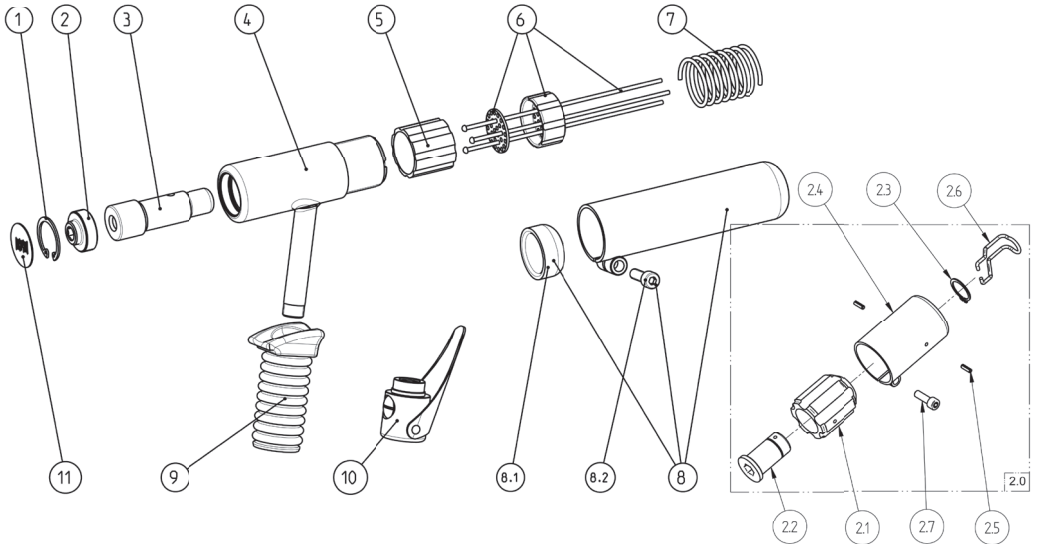
	see needle scaler	
700294	Chisel holder complete	1.0
700295	Chisel guide	1.1
700730	Rubber nozzle	1.2
103175	Allen screw	1.3
	Chisel (see 17.11)	

17.4 Chisel hammer 34 B

	see needle scaler	
700347	Chisel holder complete	1.0
700348	Chisel guide	1.1
700730	Rubber nozzle	1.2
103175	Allen screw	1.3
	Chisel (see 17.11)	

45 B Spare Parts

Only use original Von Arx spare parts!



17.5 Needle scaler 45 B

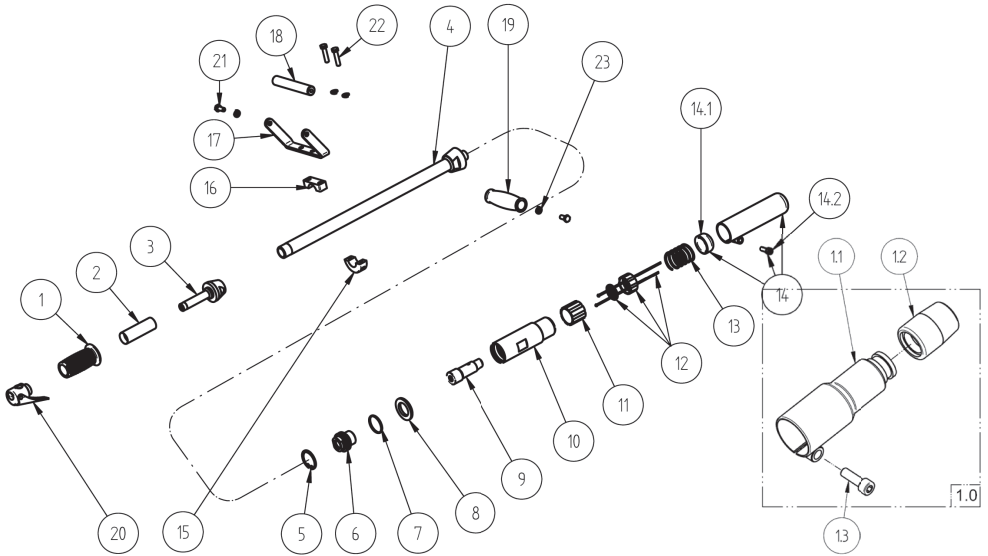
108720	Safety ring	1
700379	Locking screw	2
700383	Percussion piston	3
700374	Pistol body	4
700378	Anvil	5
	Set of needles (see 17.10)	6
700382	Spring	7
700377	Front tube complete	8
700385	Grilon-guide	8.1
103175	Allen screw	8.2
700178	Rubber handle grip	9
700296	Valve complete (see 17.9)	10
700380	Cover	11
710809	Sticker set 45 B	

17.5 Chisel hammer 45 B

	see needle scaler	
700388	Chisel holder complete	2.0
700392	Plastic element	2.1
700393	Steel box	2.2
108729	Safety ring	2.3
700389	Front tube	2.4
108302	Arrester pin (x2)	2.5
700192	Safety sprig	2.6
103175	Allen screw	2.7
	Chisel (see 17.11)	

34 BGV Spare Parts

Only use original Von Arx spare parts!



17.6 Needle scaler 34 BGV

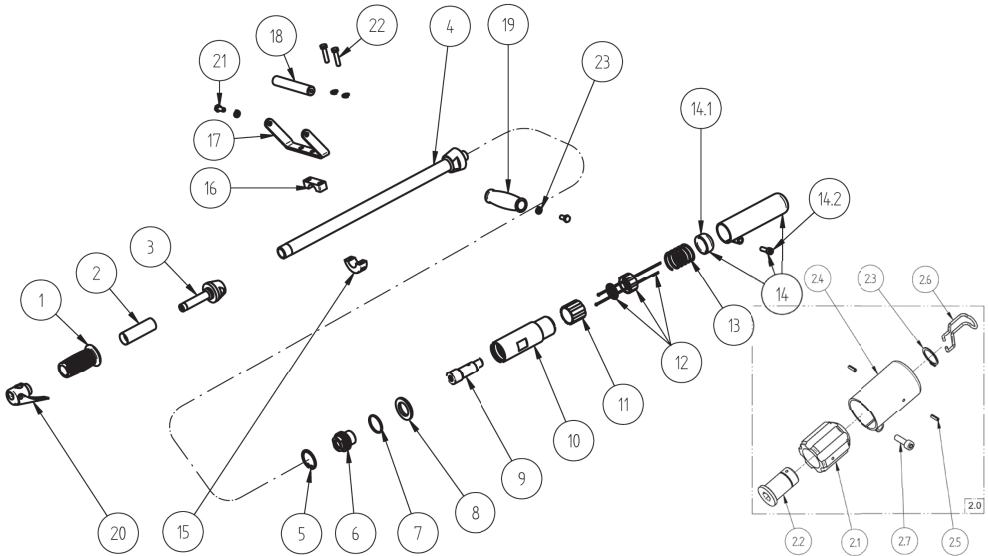
700003	Rubber handle grip	1
700004	Steel tube	2
706777	Upper threaded connection	3
707154	Connecting tube	4
708569	Connecting tube 80cm	4
108616	Safety ring	5
700530	Locking screw	6
109303	O-ring	7
706776	Spacer	8
700333	Percussion piston	9
700456	Pistol Body	10
700328	Anvil	11
	Set of needles (see 17.10)	12
700332	Spring	13
700327	Front tube complete	14
700335	Grilon-guide	14.1
103175	Allen screw	14.2
706780	Threaded clamp section	15
706779	threaded clampsection	16
700795	Bracket	17
700796	Axle	18
109318	Plastic handle grip	19
700296	Valve assembled (see 17.9)	20
101599	Hexagonal screw (x2)	21
106706	Hexagonal screw (x2)	22
100618	Spring ring (x4)	23
710807	Sticker set 34 BGV	

700347 Chisel holder complete 1.0

Spare parts Chisel holder (see 34 B)
Chisel (see 17.11)

45 BGV Spare Parts

Only use original Von Arx spare parts!



17.7 Needle scaler 45 BGV

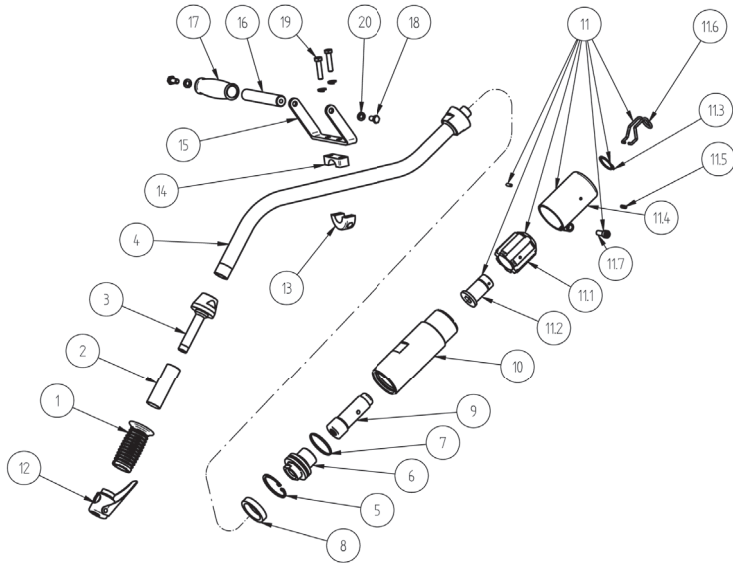
700003	Rubber handle grip	1
700004	Steel tube	2
706777	Upper threaded connection	3
707154	Connecting tube	4
103872	Safety ring	5
706784	Locking screw	6
108421	O-ring	7
706785	Spacer	8
700383	Percussion piston	9
706789	Pistol Body	10
700378	Anvil	11
	Set of needles (see 17.10)	12
700382	Spring	13
700377	Front tube complete	14
700385	Gilon-guide	14.1
103175	Allen screw	14.2
706780	Threaded clamp section	15
706779	Threaded clampsection	16
700795	Bracket	17
700796	Axle	18
109318	Plastic handle grip	19
700296	Valve assembled (see 17.9)	20
101599	Hexagonal screw (x2)	21
106706	Hexagonal screw (x2)	22
100618	Spring ring (x4)	23
710808	Sticker set 45 BGV	

700388 Chisel holder complete 2.0

Spare parts Chisel holder (see 45 B)
Chisel (see 17.11)

MHV 45 Spare Parts

Only use original Von Arx spare parts!

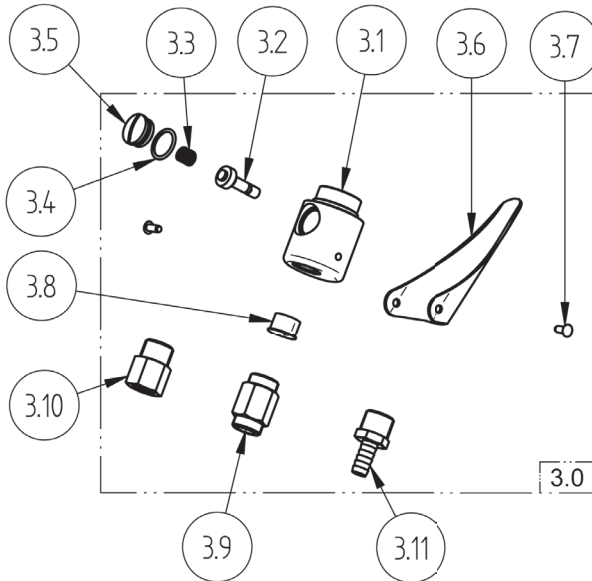


17.8 Chisel hammer MHV 45

700003	Rubber handle grip	1
700004	Steel tube	2
706777	Upper threaded connection	3
707155	Connecting tube	4
103872	Safety ring	5
706784	Locking screw	6
108421	O-ring	7
706785	Spacer	8
700383	Percussion piston	9
706789	Pistol Body	10
700388	Chisel holder complete	11
700392	Plastic element	11.1
700393	Steel box	11.2
108729	Safety ring	11.3
700389	Front tube	11.4
108302	Arrester pin (x2)	11.5
700192	Safety spring	11.6
103175	Allen screw	11.7
700296	Valve assembled (see 17.9)	12
706780	Threaded clamp section	13
706779	Threaded clamp section	14
700795	Bracket	15
700796	Axle	16
109318	Plastic handle grip	17
101599	Hexagonal screw (x2)	18
106706	Hexagonal screw (x2)	19
100618	Spring ring (x4)	20
710810	Sticker set MHV 45 Chisel (see 17.11)	

Spare Parts Valve

Only use original Von Arx spare parts!



17.9 Valve

for 12 B

700252 Valve assembled	3.0
700235 Valve body	3.1

for 23 BG

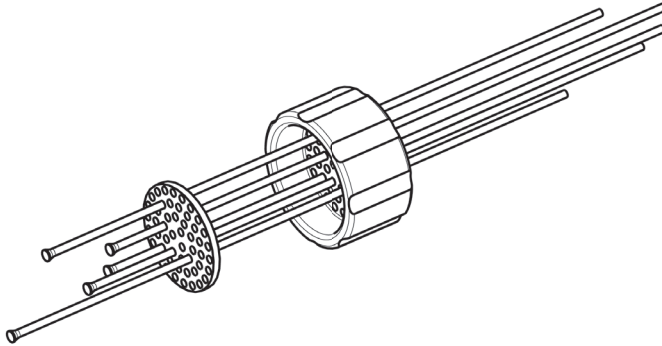
700424 Valve assembled	3.0
700418 Valve body	3.1

for 23 B, 23 BGV, 34 B, 34 BGV, MHV 34, 45 B, 45 BGV, MHV 45

700296 Valve assembled	3.0
700173 Valve body	3.1
707280 Valve bolt	3.2
700181 Valve spring	3.3
109300 O-ring	3.4
700176 Valve screw	3.5
700175 Operating lever	3.6
108149 Hammer screw (x2)	3.7
700216 Protective plug	3.8
109299 Nipple	3.9
700187 Nipple female	3.10
700188 Hose connection	3.11

Spare Parts for Needle Scaler

Only use original Von Arx spare parts!



17.10 Needles

for 12 B

Set of needles including
needles, needle holder and reinforcing plate
700253 \varnothing 2 mm flat (29 needles)
700254 \varnothing 3 mm flat (12 needles)
700255 \varnothing 3 mm pointed (12 needles)

Needle holder with reinforcing plate
700230 for needles \varnothing 2 mm
700231 for needles \varnothing 3 mm

for 23 BG, 23 B, 23 BGV

Set of needles including
needles, needle holder and reinforcing plate
700297 \varnothing 2 mm flat (51 needles)
700298 \varnothing 3 mm flat (19 needles)
700300 \varnothing 3 mm pointed (19 needles)
700299 \varnothing 4 mm flat (10 needles)
700301 \varnothing 4 mm pointed (10 needles)

Needle holder with reinforcing plate
700271 for needles \varnothing 2 mm
700272 for needles \varnothing 3 mm
700273 for needles \varnothing 4 mm

17.10 Needles

for 34 B, 34 BGV

Set of needles including
needles, needle holder and reinforcing plate
700349 \varnothing 2 mm flat (65 needles)
700350 \varnothing 3 mm flat (28 needles)
700352 \varnothing 3 mm pointed (28 needles)
700351 \varnothing 4 mm flat (19 needles)
700353 \varnothing 4 mm pointed (19 needles)

Needle holder with reinforcing plate
700324 for needles \varnothing 2 mm
700325 for needles \varnothing 3 mm
700326 for needles \varnothing 4 mm

for 45 B, 45 BGV

Set of needles including
needles, needle holder and reinforcing plate
700397 \varnothing 3 mm flat (49 needles)
700399 \varnothing 3 mm pointed (49 needles)
700398 \varnothing 4 mm flat (35 needles)
700400 \varnothing 4 mm pointed (35 needles)

Needle holder with reinforcing plate
700375 for needles \varnothing 3 mm
700376 for needles \varnothing 4 mm

Spare Parts for Chisel Hammer

Only use original Von Arx spare parts!

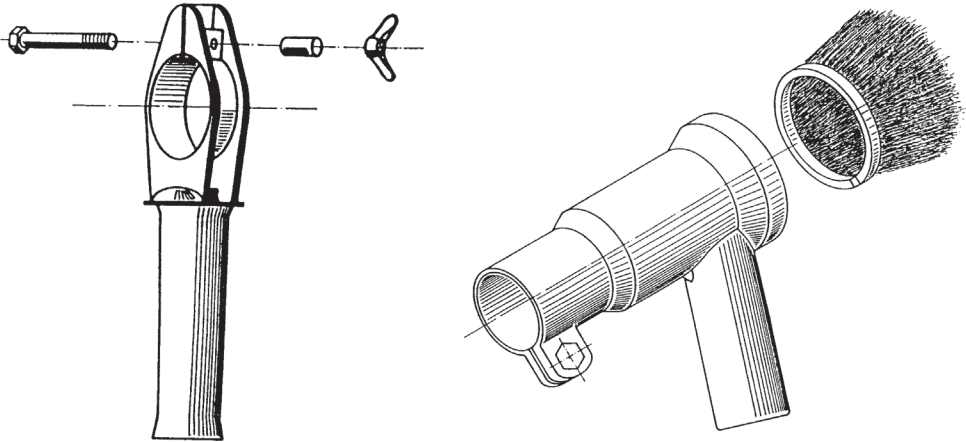


17.11 Chisels

708582	Joint chisel 60x300 mm	1
700193	Flat chisel 24 mm, short	2
700196	Pointed chisel	3
700205	Flat chisel 100 mm	4
700194	Flat chisel 40 mm long	5
700195	Flat chisel 24 mm, cranked	6
706867	Carpet knife	7
700204	Pitching tool holder with hex shaft	8
700198	Pitching tool holder, round shaft	9
700199	Pitching tool 3x3	A
700200	Pitching tool 4x4	B
700201	Pitching tool 5x5	C
700202	Pitching tool 7x7	D
700207	Flat chisel 40 x 520 mm	10

Spare Parts for Needle Scaler / Chisel Hammer

Only use original Von Arx spare parts!



18.1 for 23 BG, 23 B

- 700081 Handle grip
- 700280 Vac connector ass.
- 700217 Vac connector
- 700220 Brush for vac connector

18.2 for 34 B

- 700342 Handle grip
- 700628 Vac connector ass.
- 700219 Vac connector
- 700220 Brush for vac connector

18.3 for 45 B

- 700395 Handle grip